



Belay Bar Mounting Kit

The Perfect Descent Anchor Strap is a pass through, choker style anchorage connector. This anchor is used to mount the Perfect Descent Auto Belay to an existing belay bar without damaging the surface of the bar.

Specifications:

- Minimum breaking strength >5,000lbs (22.2kN)
- Minimum belay bar diameter 2.5" (63mm)
- Maximum belay bar diameter 4" (102mm)
- Capacity 350lbs (159kg), combined weight of auto belay and climber

Materials:

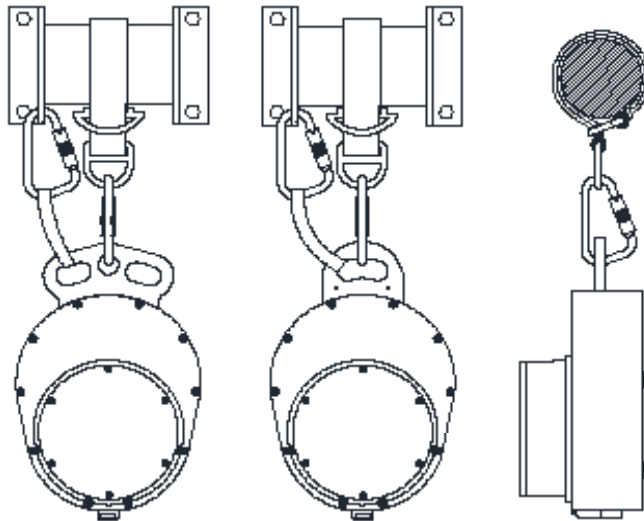
- Anchor Webbing – Polyester, minimum 6,000lb (26.5kN) breaking strength
- D-ring Hardware – Forged steel, zinc plated, 5,000lb (22.2kN) minimum breaking strength
- Backup Sling – Nylon, 5,000lb (22kN) minimum breaking strength
- Carabiners – Forged steel, zinc plated, 9,200lb (41kN) minimum breaking strength

Use only with carabiners provided. This anchor strap must be used with the secondary backup anchor provided. Belay bar must be capped on both ends to prevent the strap from sliding off. Check with the manufacturer of your belay bar and climbing wall or with a qualified engineer to confirm your system is capable of supporting the anticipated loads. Please refer to the Perfect Descent Auto Belay Operations Manual for further information.

Mount only as shown in the diagram below.

- Belay bar must be smooth and free of nicks, burrs, or sharp edges.
- Keep secondary sling as short as possible. May be attached by girth hitch or looped through the mounting handle.
- Indoor use only. Store and use only in areas void of direct sunlight.
- Inspect components weekly for damage or excessive wear. Remove from use if inspection reveals:
 - Wear, corrosion, deformation, or damage to d-rings or carabiners
 - Damage, degradation, or fraying of the webbing
 - Loose, pulled, or missing stitching

If any of these conditions or other unsafe conditions are found, remove the anchor strap from use and destroy.



Contact us for further information:

3809 Norwood Drive • Unit #4 • Littleton, CO 80125 • Phone: 303-953-0874 • Fax: 303-862-8442
Info@PerfectDescent.com • www.PerfectDescent.com